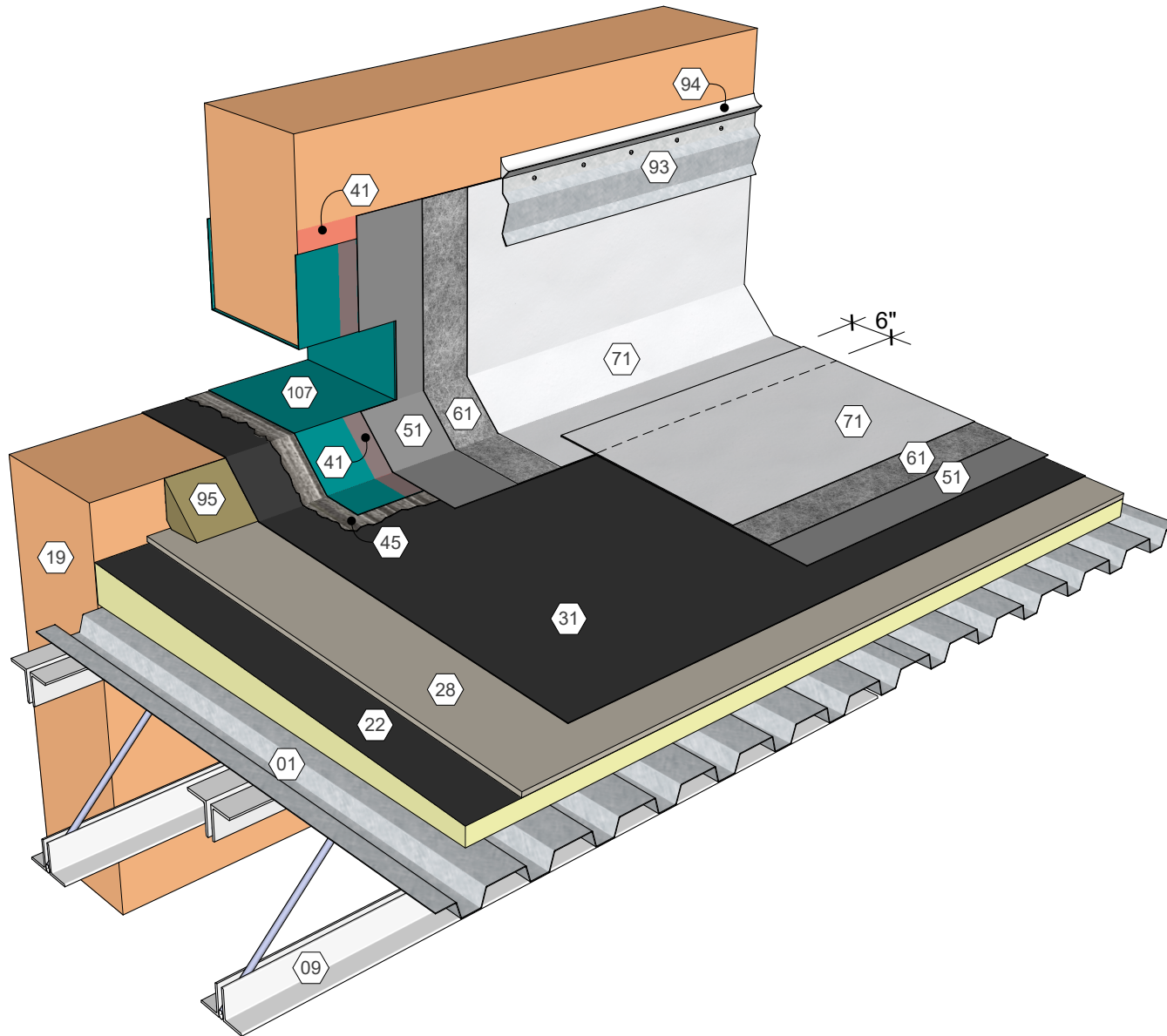


KEY NOTES

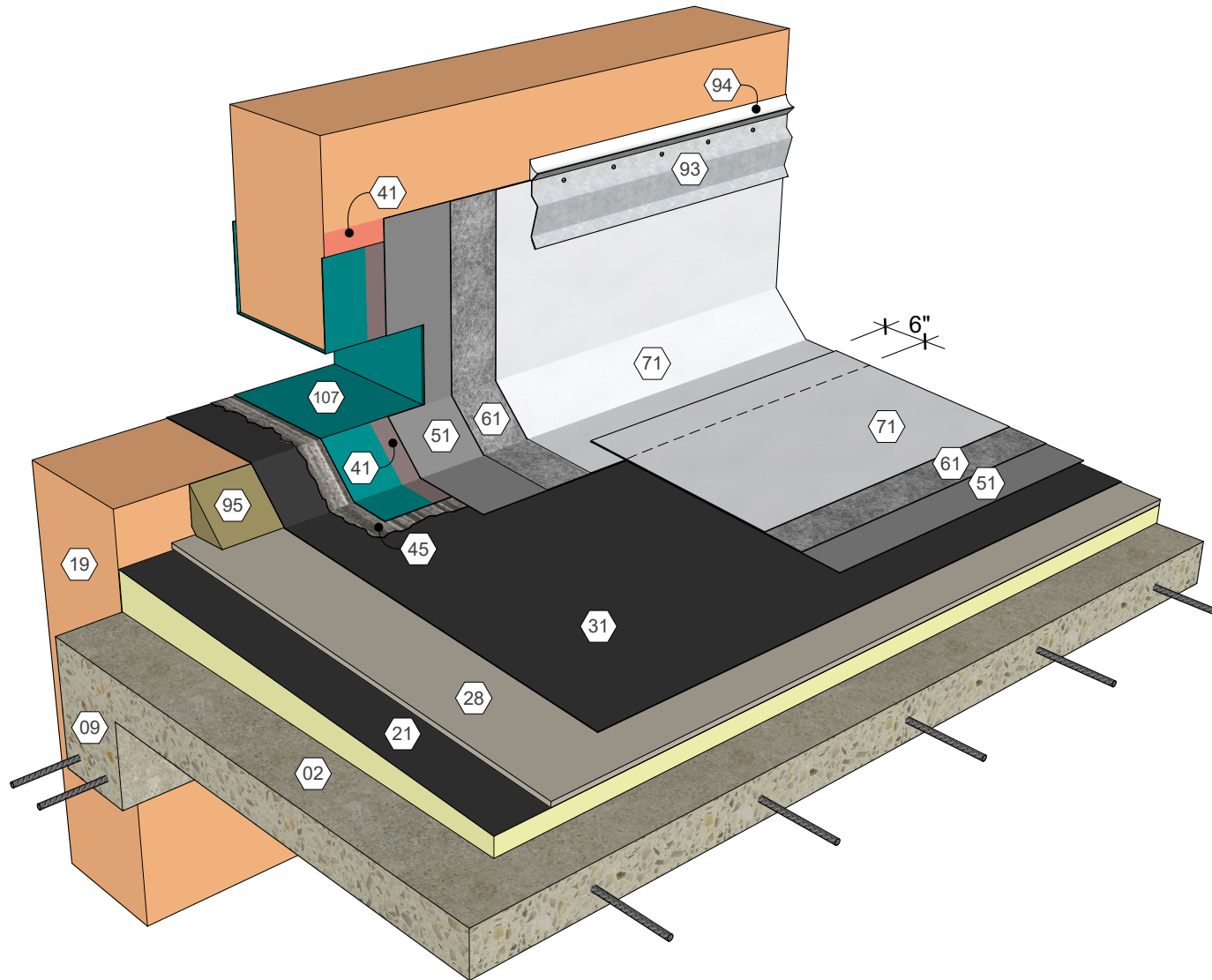
- 01 Metal Deck
- 09 Roof Structure
- 19 Wall Assembly
- 22 Polyisocyanurate Insulation (Fastened or Adhered)
- 28 Cover Board (Adhered)
- 31 Approved Base Ply Sheet
- 41 Approved Primer
- 45 Roofing Mastic
- 51 AlphaGuard MT/MTS Base Coat
- 61 AlphaGuard Glass Mat or Permafab
- 71 AlphaGuard MT/MTS Top Coat
- 93 Counterflashing, Optional
- 94 Tremseal D, Optional
- 95 Cant Strip
- 107 Sheet Metal Scupper



AlphaGuard® MT/MTS Plus Overflow Scupper Detail, Metal Deck
Detail 22241

KEY NOTES

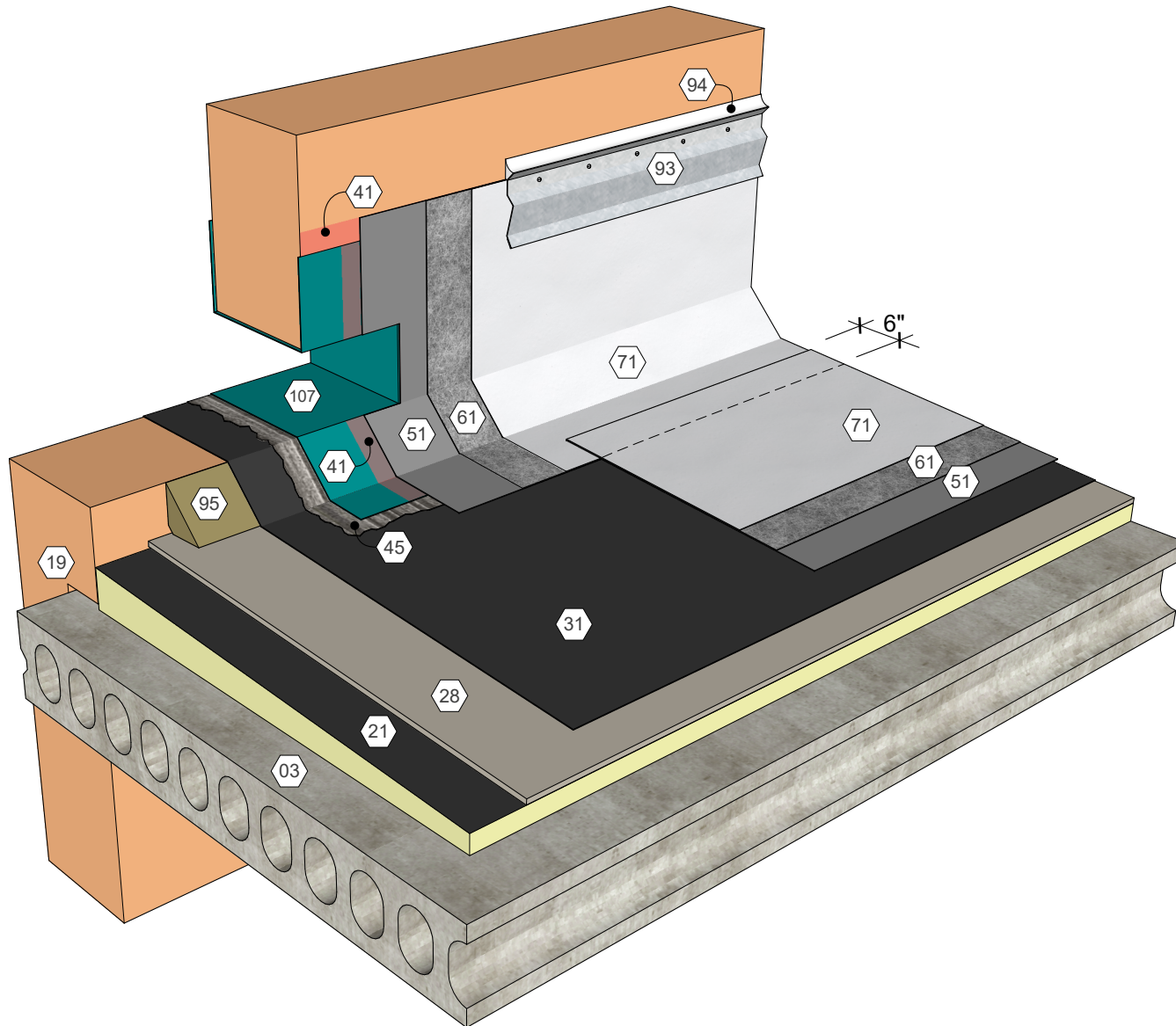
- ①02 Structural Concrete Deck
- ①09 Roof Structure
- ①19 Wall Assembly
- ①21 Polyisocyanurate Insulation (Adhered)
- ①28 Cover Board (Adhered)
- ①31 Approved Base Ply Sheet
- ①41 Approved Primer
- ①45 Roofing Mastic
- ①51 AlphaGuard MT/MTS Base Coat
- ①61 AlphaGuard Glass Mat or Permafab
- ①71 AlphaGuard MT/MTS Top Coat
- ①93 Counterflashing, Optional
- ①94 Tremseal D, Optional
- ①95 Cant Strip
- ①07 Sheet Metal Scupper



AlphaGuard® MT/MTS Plus Overflow Scupper Detail, Structural Concrete Deck
Detail 22242

KEY NOTES

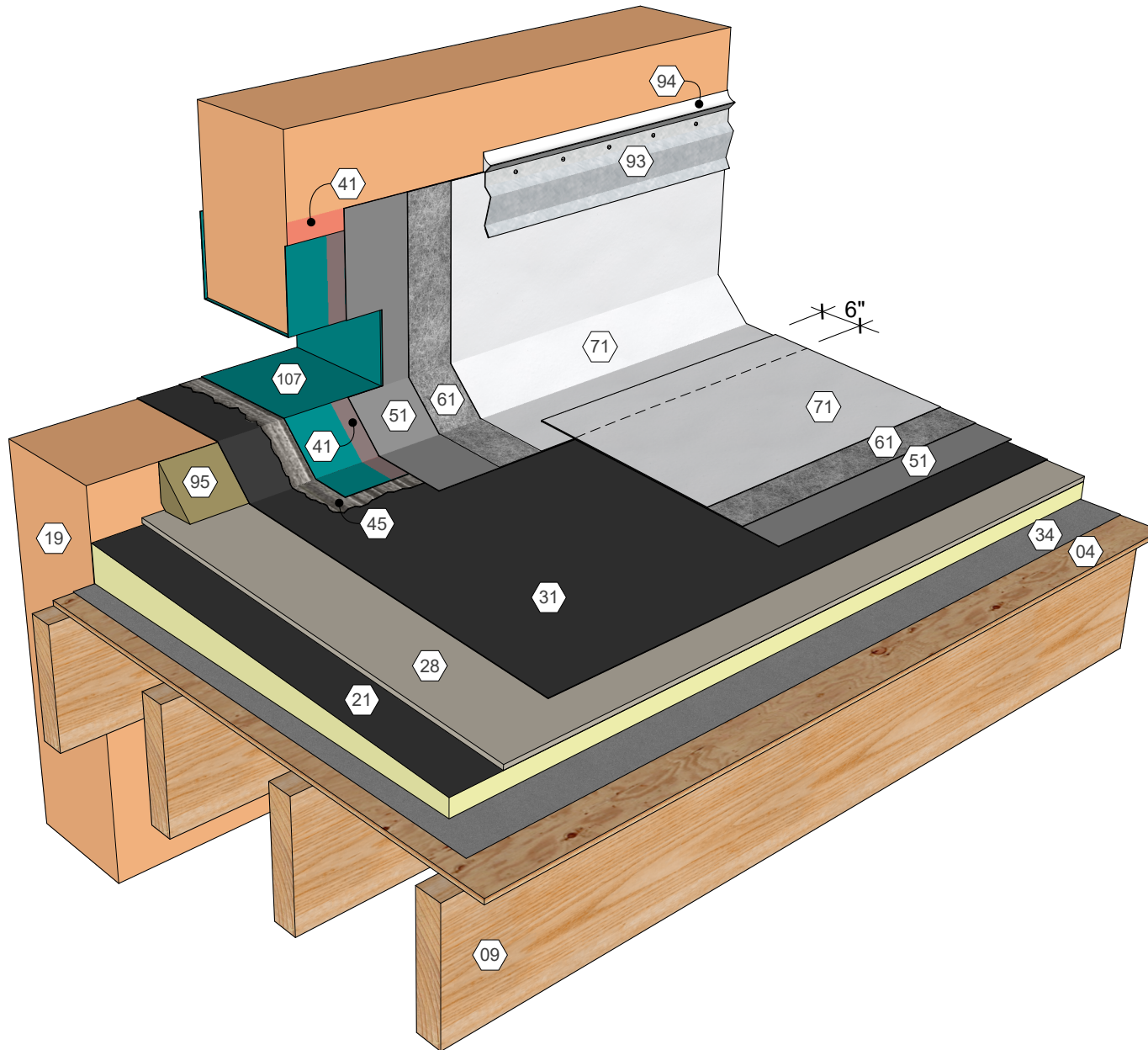
- 03 Precast Concrete Deck
- 19 Wall Assembly
- 21 Polyisocyanurate Insulation (Adhered)
- 28 Cover Board (Adhered)
- 31 Approved Base Ply Sheet
- 41 Approved Primer
- 45 Roofing Mastic
- 51 AlphaGuard MT/MTS Base Coat
- 61 AlphaGuard Glass Mat or Permafab
- 71 AlphaGuard MT/MTS Top Coat
- 93 Counterflashing, Optional
- 94 Tremseal D, Optional
- 95 Cant Strip
- 107 Sheet Metal Scupper



AlphaGuard® MT/MTS Plus Overflow Scupper Detail, Precast Concrete Deck
Detail 22243

KEY NOTES

- 04 Wood Deck
- 09 Roof Structure
- 19 Wall Assembly
- 21 Polyisocyanurate Insulation (Adhered)
- 28 Cover Board (Adhered)
- 31 Approved Base Ply Sheet
- 34 Base Sheet (Fastened)
- 41 Approved Primer
- 45 Roofing Mastic
- 51 AlphaGuard MT/MTS Base Coat
- 61 AlphaGuard Glass Mat or Permafab
- 71 AlphaGuard MT/MTS Top Coat
- 93 Counterflashing, Optional
- 94 Tremseal D, Optional
- 95 Cant Strip
- 107 Sheet Metal Scupper

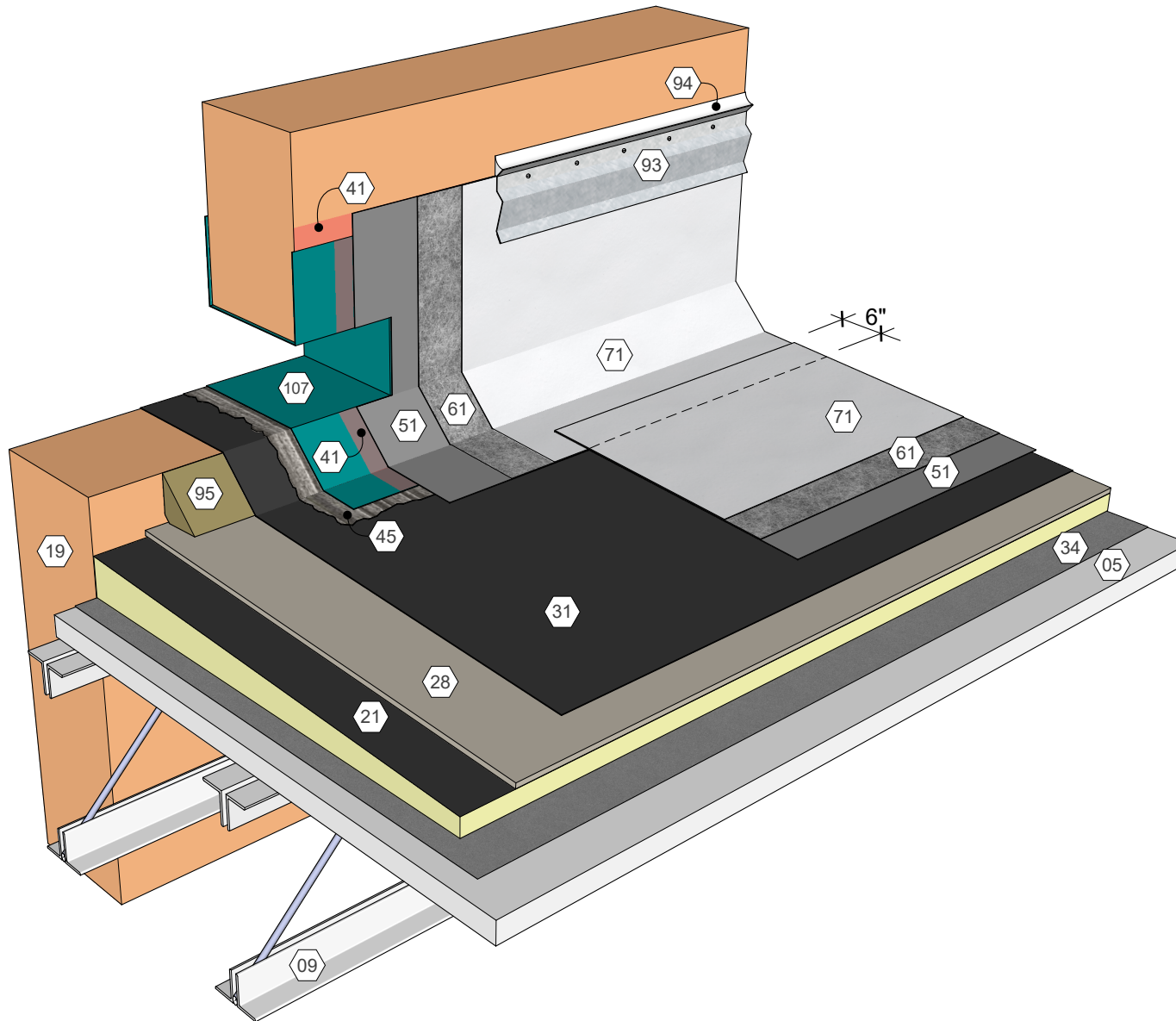


AlphaGuard® MT/MTS Plus Overflow Scupper Detail, Wood Deck
Detail 22244

TREMCO
ROOFING & BUILDING MAINTENANCE

KEY NOTES

- 05 Gypsum Deck
- 09 Roof Structure
- 19 Wall Assembly
- 21 Polyisocyanurate Insulation (Adhered)
- 28 Cover Board (Adhered)
- 31 Approved Base Ply Sheet
- 34 Base Sheet (Fastened)
- 41 Approved Primer
- 45 Roofing Mastic
- 51 AlphaGuard MT/MTS Base Coat
- 61 AlphaGuard Glass Mat or Permafab
- 71 AlphaGuard MT/MTS Top Coat
- 93 Counterflashing, Optional
- 94 Tremseal D, Optional
- 95 Cant Strip
- 107 Sheet Metal Scupper



AlphaGuard® MT/MTS Plus Overflow Scupper Detail, Gypsum Deck
Detail 22245